



# FIRESTOP CENTRE

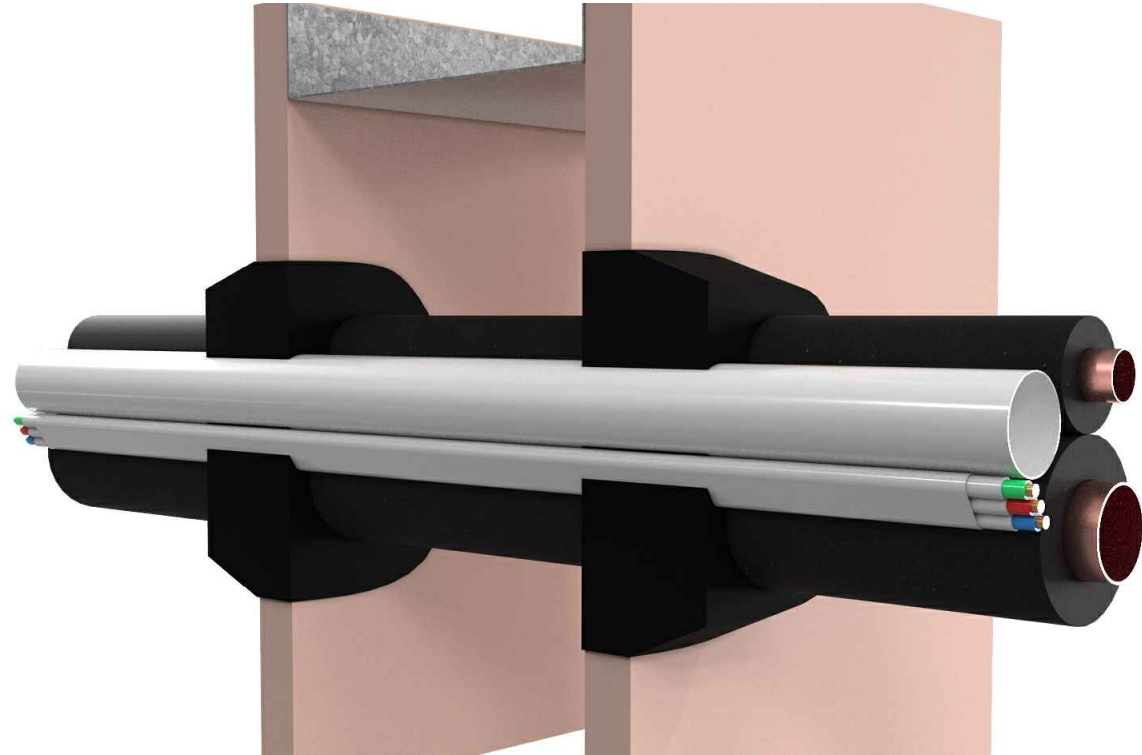
Authorised New Zealand Distributor  
Ph (09) 483 4000 www.firestopcentre.co.nz

## AGNI-Black in 1 x 13mm Plasterboard Wall or 90mm Concrete/Masonry/Block Wall FR Pair Coil, with or without cables and PVC pipe Max FRR -/60/60

### Step-by-step installation instructions:

1. Ensure the aperture is free from dust and debris.
2. Apply AGNI-Black in the annular gap between the wall and the pipe, 13mm nominal (depth of lining).
3. Apply 50mm (width) x 20mm (height) AGNI-Black fillet/cone around the AC bundle.

System ID# FC889



### Technical Information

Substrate	<ul style="list-style-type: none"> <li>• Min. 64mm timber or steel stud wall with a minimum of one layer of 13mm (or greater) FR plasterboard on each side, with or without insulation.</li> <li>• Min. 90mm concrete wall</li> </ul>
Service range	1 X FR pair coil + DN25mm PVC-U pipe + 1 x TPS cable
Annular gap	14.1 - 46.3mm
AGNI-Products	AGNI-Black
Protection installation	Coned - both sides of the wall

### Compliance Information

Standards	AS1530.4-2014, AS4072.1-2005
FRR/FRL	- /60/60
Reference	PF24143



8 Clare St Bayswater  
VIC 3153, AUSTRALIA  
www.agnitek.com.au

#### Disclaimer

Agnitek reserves the right to modify product specifications without prior notice due to its ongoing research, development & certification programme. The information in this document is provided in good faith and is intended for guidance purposes only. Any accompanying drawings are solely for illustrative purposes. Since Agnitek cannot oversee installation methods or ensure site conditions, no warranties, expressed or implied, are intended regarding the products' actual performance. We do not accept liability for any loss, damage, or injury from using this information. Please take a look at the test reports displayed on a relevant AGNI-System webpage for all compliance specifics.

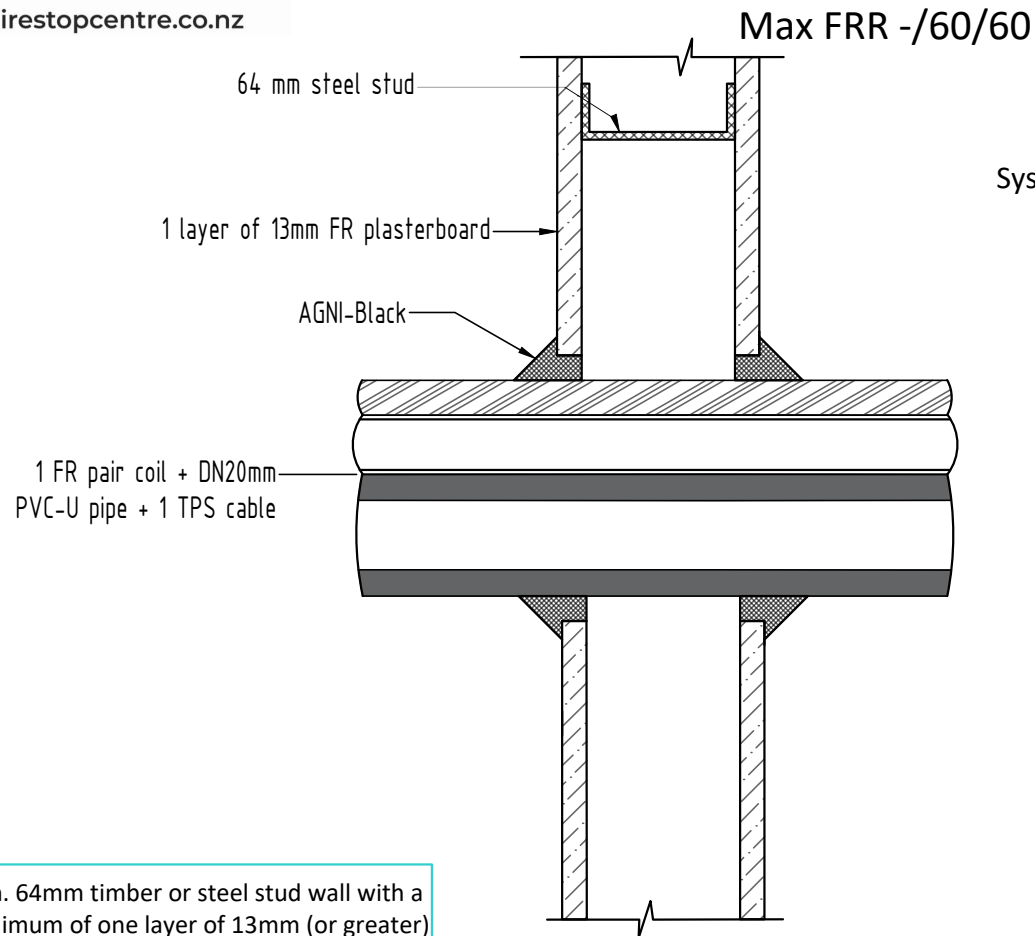
Date	15.02.2025
------	------------



# FIRESTOP CENTRE

Authorised New Zealand Distributor  
Ph (09) 483 4000 www.firestopcentre.co.nz

## AGNI-Black in 1 x 13mm Plasterboard Wall or 90mm Concrete/Masonry/Block Wall FR Pair Coil, with or without cables and PVC pipe



System ID# FC889

### Technical Information

Substrate	<ul style="list-style-type: none"> <li>• Min. 64mm timber or steel stud wall with a minimum of one layer of 13mm (or greater) FR plasterboard on each side, with or without insulation.</li> <li>• Min. 90mm concrete wall</li> </ul>
Service range	1 X FR pair coil + DN25mm PVC-U pipe + 1 x TPS cable
Annular gap	14.1 - 46.3mm
AGNI-Products	AGNI-Black
Protection installation	Coned - both sides of the wall

### Compliance Information

Standards	AS1530.4-2014, AS4072.1-2005
FRR/FRL	- /60/60
Reference	PF24143



**Agnitek**<sup>®</sup>  
FIRE RATED TECHNOLOGY

8 Clare St Bayswater  
VIC 3153, AUSTRALIA  
www.agnitek.com.au

#### Disclaimer

Agnitek reserves the right to modify product specifications without prior notice due to its ongoing research, development & certification programme. The information in this document is provided in good faith and is intended for guidance purposes only. Any accompanying drawings are solely for illustrative purposes. Since Agnitek cannot oversee installation methods or ensure site conditions, no warranties, expressed or implied, are intended regarding the products' actual performance. We do not accept liability for any loss, damage, or injury from using this information. Please take a look at the test reports displayed on a relevant AGNI-System webpage for all compliance specifics.

Date 15.02.2025